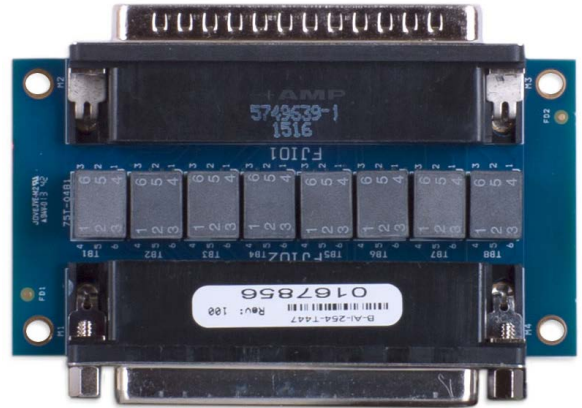


DNA-TRF-254-122

Transformer Signal Conditioner for DNx-AI-254

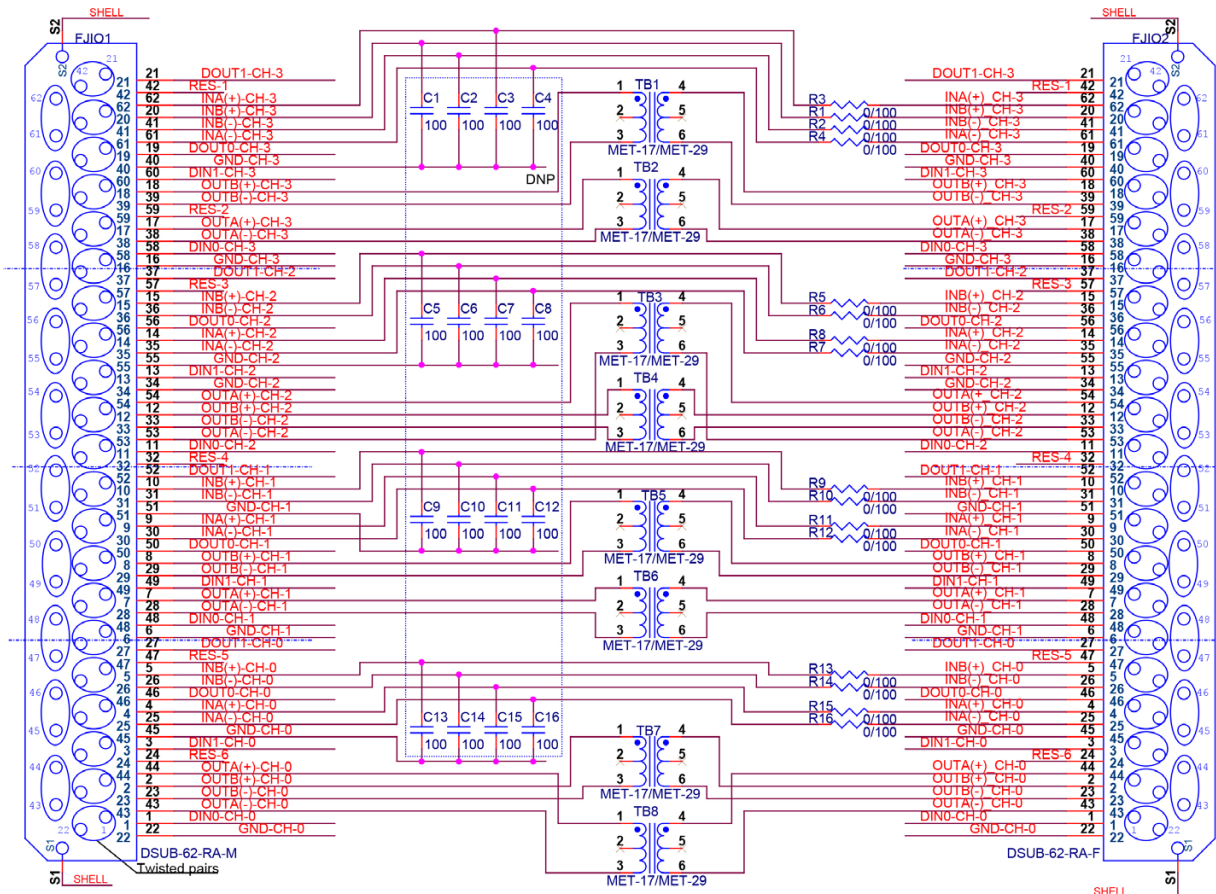
- Provides transformer output isolation
- Expands DNx-AI-254 5-wire simulated output capabilities
- Provides output pinout identical to standard DNx-AI-254
- Provides straight-through/pass-through connections of inputs
- Small size allows installation directly on DNx-AI-254 board
- Provides 1 to 1.22 step-up transformers on outputs
- Other transformer ratios available as special order.



General Description:

The DNA-TRF-254-122 is a step-up transformer signal conditioning extender for the outputs of UEI's popular DNx-AI-254, LVDT/RVDT interface board. The board provides a fixed step-up ratio of 1 to 1.22, extending the DNx-AI-254's 6.7 Vrms outputs to 8.1 Vrms. One side of the board is a male 62-pin "D" connector that may be connected directly to the DNx-AI-254 or may be connected via cable. The other side of the board is a 62-pin female "D" connector which provides a pinout identical to the DNx-AI-254. The only difference being that the outputs are connected through the step-up transformers, while the inputs are passed directly through the board unchanged. Transformer ratios other than 1:1.22 are available on a special order basis. Please contact UEI for details on other transformer options.

Block Diagram/Schematic:



MET-17 series transformers are used on the DNA-TRF-254-122
 MET-29 series transformers are used on the DNA-TRF-254-447